

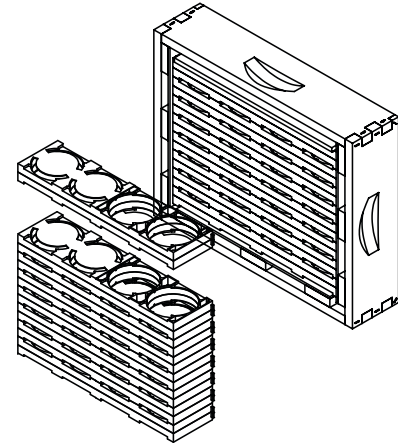
CH-105 10 Frame Ross Round® Comb Honey Super Conversion Kit

Materials Provided:

- (2) 14½" (36.83 cm) End Boards
- (1) 16⅝" (42.23 cm) Side Board
- (1) ¾" (1.91 cm) Follower Board
- (2) Metal Support Strips
- (3) Super Springs
- (28) Nails
- (8) Visicheck Frames
- (32) Crystal Covers
- (32) Opaque Covers
- (64) Rings

Materials Required But Not Provided:

- Empty Langstroth Section Super
4½" to 4¾" deep (11.43 cm to 12.07 cm)
- (8) Sheets of 3⅞" x 16½" (9.84 cm x 41.91 cm)
Thin Super Foundation
- Ross Round Adhesive-Backed Labels



How To Prepare Super:

Stand super on end. Place one 14½" (36.83 cm) end board at each end, inside of super, and nail into place. Bottom of end boards should be flush with bottom of super to maintain "bee space" on top of frames. After installing both end boards, check for fit using one of the plastic Visicheck frames. Frame should fit easily between end boards--if too loose, pry out end board using hive tool, until fit is proper. Turn super on side and place (1) 16⅝" (42.23 cm) side board and nail into place. Bottom of board should be even with bottom of the super. Super is now ready for frames. Place (8) prepared Visicheck frames (see below) next to fixed side board, then place the loose follower board next to the frames, and wedge in place with super springs. Nail metal support strips evenly spaced on the bottom of the super to give added strength and support for the frames.

How To Prepare Visicheck Frames: Separate the two frame halves and lay flat with the inside of the frames facing up. Place a ring in each frame cavity, positioning the ring so the small notches are down and toward the outside of the frame. Place a ring in each of the (8) cavities. When properly inserted, ring slips in easily and fits flush with the frames. If it does not readily slip down into place without force, rotate it slightly so that the part fits with notches between the small projections inside the ring cavity. After rings have been properly installed in all (8) cavities, place a sheet of thin super foundation on one half of the frame. Place the other half-frame on top and snap halves together. If the rings have been correctly inserted, no part of the white ring can be seen sticking out from the frame and the two halves will fit together with no gap. Repeat for remaining Visicheck Frames

How To Harvest Sections: Remove bees from the super by usual means. Turn super upside down, remove super springs, loosen frames, and remove from super. Separate halves of frames. If needed, twist a knife blade or hive tool in the foundation slots at ends of frames. Remove sections, trim excess foundation, place one crystal and one opaque cover or two crystal covers on both sides of the rings and secure them using Ross Round adhesive-backed labels.

Some Useful Tips: Force frames together tightly in the super to reduce propolization between frames. Although one spring will hold the loose side follower board in place, two are better and three are best. After frames are placed in super, double check visually to see that no rings are protruding. Check to see if there is a ring in every frame cavity and that the frame halves fit together.



501 1st St S, Hackensack, MN 56452
500 Santa Anita Dr., Woodland, CA 95776
485 Stewart Rd, Wilkes-Barre, PA 18706
1600 Commerce Street, Marshall, TX 75672

Telephone: 800-880-7694
www.mannlakeltd.com

| ITEM NO. | DESCRIPTION | QTY. |
|----------|--------------------------|------|
| 1 | Langstroth Section Super | 1 |
| 2 | End Board | 2 |
| 3 | Side Board | 1 |
| 4 | Follower Board | 1 |
| 5 | Nail | 28 |
| 6 | Super Spring | 3 |
| 7 | Metal Support Strip | 2 |

