

# KD-125 Unassembled Nuc Box With Assembled Telescoping Cover & Bottom Board

## You will need:

- Hammer
- (16)-7D Nails (*included*)
- (4) 1¼" (3.18 cm) Wood Screws (*included*)
- Wood Glue - *Apply wood glue to lap joints and cleats prior to assembly.*
- Screwdriver

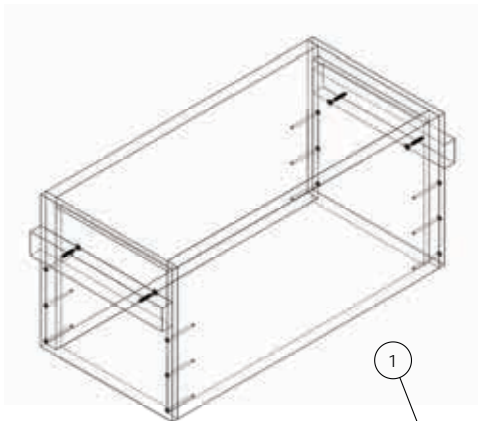


**MANN LAKE**  
WE KNOW BEES

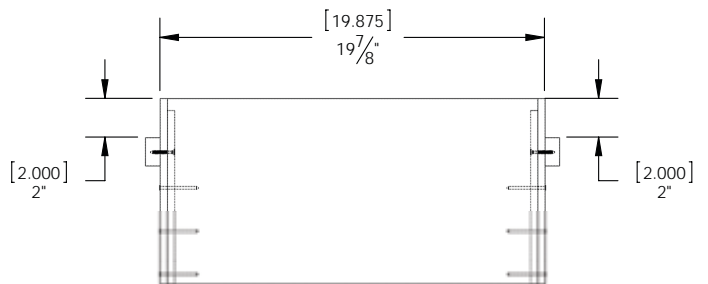
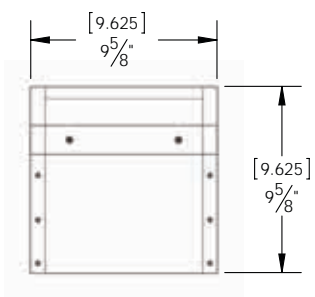
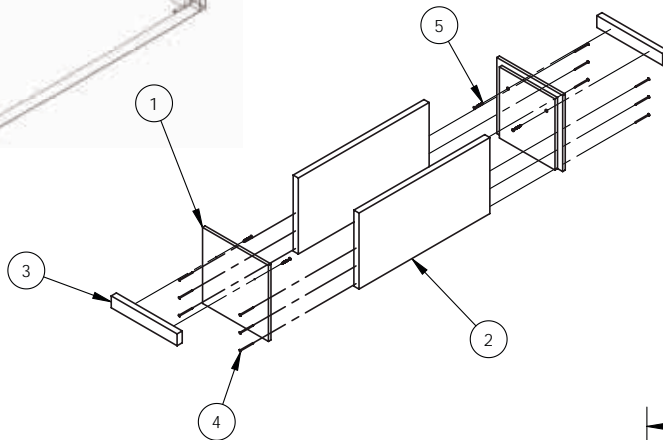
501 1st St S, Hackensack, MN 56452  
500 Santa Anita Dr., Woodland, CA 95776  
485 Stewart Rd, Wilkes-Barre, PA 18706  
1600 Commerce Street, Marshall, TX 75672

Telephone: 800-880-7694  
[www.mannlakeltd.com](http://www.mannlakeltd.com)

1. (2) Nuc Ends
2. (2) Nuc Sides
3. (2) Cleats (Hand Holds)
4. (16) 7D Nails (included)
5. (4) 1¼" (3.18 cm) Wood Screws (included)



**Apply Wood Glue To Lap Joints And Cleats Prior To Installation.**



Use this handy measuring tool to measure the distance from the top of the Nuc Ends to the top of the Cleats.

