

NB-500/501 Unassembled Nuc Box

You will need:

(These items are not included in the kit)

- Hammer
- (16)-7D Nails
- Wood Glue - *Apply wood glue to lap joints prior to assembly.*

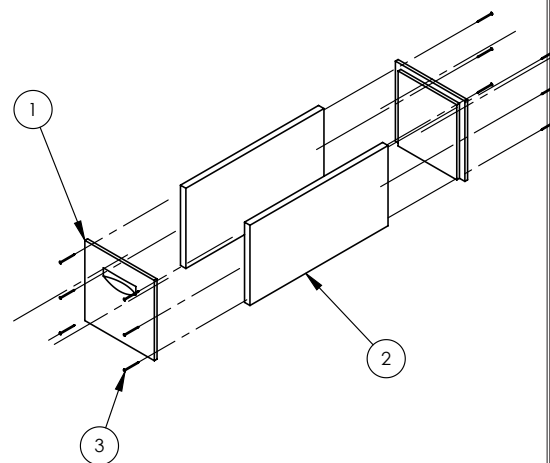
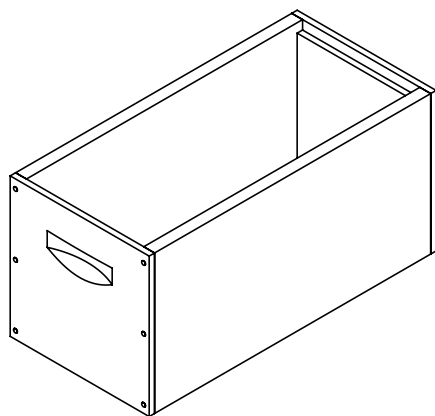
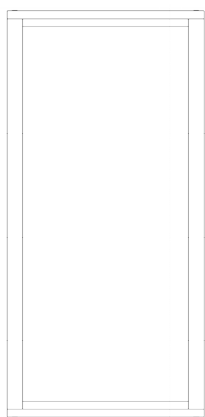


MANN LAKE
WE KNOW BEES

501 1st St S, Hackensack, MN 56452
500 Santa Anita Dr., Woodland, CA 95776
485 Stewart Rd, Wilkes-Barre, PA 18706
1600 Commerce Street, Marshall, TX 75672

Telephone: 800-880-7694
www.mannlakeltd.com

1. (2) Nuc Ends
2. (2) Nuc Sides
3. (16) 7D Nails (*not included*)



Apply Wood Glue To Lap Joints Prior To Installation.

